



Diesel Generating Sets

60
Hz

Model: **KYC325**

INDUSTRIAL RANGE

Powered by Cummins



Generating Rates

POWER RATING		STANDBY	PRIME
POWER	KVA	356	325
	KW	285	260
Rated Speed	R.P.M	1800	
Standard Voltage	V	480	
Available Voltages	V	480/277-440/254-220/127-208/120	
Rated at power factor	Cos Phi	0.8	

Ambient conditions of reference: 1000 mbar, 25°C, 30% relative humidity. Power according to ISO 3046 normative.

P.R.P. Prime Power - ISO 8528 : prime power is the maximum power available during a variable power sequence, which may be run for an unlimited number of hours per year, between stated maintenance intervals. The permissible average power output during a 24

Standby Power (ISO 3046 Fuel Stop power): power available for use at variable loads for limited annual time (500h), within the following limits of maximum operating time: 100% load 25h per year – 90% load 200h per year. No overload available. Applicable i



Diesel Generating Sets



60
Hz

Model: KYC325
INDUSTRIAL RANGE
Powered by Cummins

Engine Specifications 1800 r.p.m.

ENGINE		STANDBY		PRIME
Rated Output	kW	285		260
Manufacturer		Cummins		
Model		NT855-G6		
No. of Cylinders and Build		4 Cycle; In-line; 6 Cylinder Diesel		
Aspiration and Cooling		Natural Aspiration		
Bore/Stroke	mm	140 x 152		
Cooling system		Water-cooled		
Total Coolant Capacity	L	45.0		
Engine Speed/Frequency	rpm/Hz	1800/60HZ		
Starting System		Electric 12 volt DC		
Displacement	L	14.0		
Lubricant system Capacity	L	38.6		
Battery Voltage / Capacity		24VDC		
Governing Type	Type	Mechanical		
Air Filter	Type	Dry		
Fuel Consumption	Load of prime power	100%	75%	50%
	L/h	74	56	40

ENGINE--Industrial 4 stroke cooled diesel engine complete with air,fuel and oil filters,electric starting and charging equipment,engine protection against low water level.

COOLING--Radiator and colling fan complete with protection guards,designed to cool engine at specified output in air temperatures upto 45 °C ,radiators suitable for higher temperatures are available.Low water level protection fitted as standard.

ELECTRICAL SYSTEM--12V upto.Axial type starter motor,battery charging alternator,high capacity lead acid battery,and battery tray mounted on the generator base frame,and heavy duty interconnecting cable with terminations.

EXHAUST SYSTEM--Heavy duty industrial exhaust silencer with flexible piping.



Diesel Generating Sets



Model: KYC325

INDUSTRIAL RANGE

Powered by Cummins

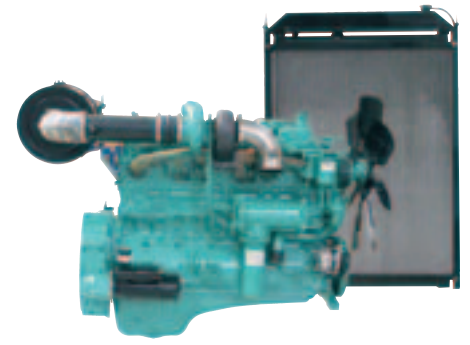


Alternator Technical Specifications

ALTERNATOR BRAND		STAMFORD
Model		HCI444E
Exciter System		Self-excited, brushless
Poles	Num	4
Cooling Fan		Cast alloy aluminum
Bearing		Single, double shielded
Windings		100% copper
Connection Type		Reconnectable
Insulation Type	Class	Class H
Pitch		2/3
Amortisseur Winding		Full
Voltage Regulator		A.V.R. (Electronic)
Steady Voltage Precision		± 1%
Underspeed Protection		Standard
Overexcitation Protection		IP23
TIF (1960 Weightings)		<50

ALTERNATOR--Brushless, self exciting, self regulation, screen protected, drip proof rated in accordance with IEC60034. Voltage regulation maintained within ±0.5% from no load to full load. between 0.8 lagging and unity. All standard voltages available

NT855-G6



> Specification sheet

Our energy working for you.™



Description

The Cummins NT-Series engines have been service proven through millions of hours of operation in some of the world's most demanding applications. The 14 litre, six-cylinder NT855 has been engineered to handle higher injection pressures, with redesigned overhead arrangement, pistons, crankshaft and camshaft. A gear train with high contact ratio spur gears also eliminates unwanted thrust loads and reduces noise.



This engine has been built to comply with CE certification.



This engine has been designed in facilities certified to ISO9001 and manufactured in facilities certified to ISO9001 or ISO9002.

Features

Cylinder Block - Alloy cast iron with removable wet liners.

Cylinder Heads - Alloy cast iron. Each head serves two cylinders. Drilled fuel supply and return lines. Valve seat inserts are replaceable and corrosion resistant. Valve and crosshead guides are replaceable.

Cylinder Liners - Replaceable wet liners dissipate heat faster than dry liners and are easily replaced without reboring the block.

Fuel System - Cummins PT™ self adjusting system. Integral dual flyweight governor provides overspeed protection independent of main governor. Camshaft actuated fuel injectors give accurate metering and timing. Dual spin-on fuel filters.

Coolpac Integrated Design - products are supplied complete with cooling package and air cleaner kit for a complete power package. Each component has been specifically developed and rigorously tested for G-Drive products, ensuring high performance, durability and reliability.

Service and Support - G-Drive products are backed by an uncompromising level of technical support and after sales service, delivered through a world class service network.

1800 rpm (60 Hz) Ratings

Gross Engine Output			Net Engine Output			Typical Generator Set Output					
Standby	Prime	Base	Standby	Prime	Base	Standby (ESP)		Prime (PRP)		Base (COP)	
kWm/BHP			kWm/BHP			kWe	kVA	kWe	kVA	kWe	kVA
325/436	295/396	254/341	311/417	281/377	240/322	285	356	260	325	222	277

Our energy working for you.™

www.cumminsdrive.com

©2007 | Cummins G-Drive Engines | Specifications subject to change without notice | Cummins are registered trademarks of Cummins Inc. (01/08) (GDSS125-RevA)



General Engine Data

Type	4 cycle, in-line, Turbo Charged
Bore mm	140 mm (5.5 in.)
Stroke mm	152 mm (6.0 in.)
Displacement Litre	14.0 litre (855 in. ³)
Cylinder Block	Cast iron, 6 cylinder
Battery Charging Alternator	55 amps
Starting Voltage	24 volt, negative ground
Fuel System	Direct injection
Fuel Filter	Spin-on fuel filters with water separator
Lube Oil Filter Type(s)	Spin-on full flow filter
Lube Oil Capacity (l)	38.6
Flywheel Dimensions	1/14

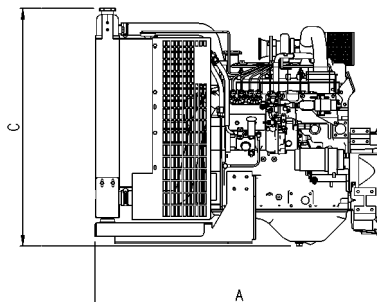
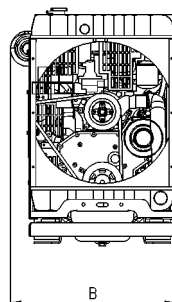
Coolpac Performance Data

Cooling System Design	Jacket Water
Coolant Ratio	50% ethlene glycol; 50% water
Coolant Capacity (l)	45.0
Limiting Ambient Temp.**	58.0
Fan Power	11.6
Cooling system air flow (m ³ /s)**	7.6
Air Cleaner Type	Dry replaceable element with retriiction indicator

** @ 13 mm H₂O

Weights & Dimension

Length	Width	Height	Weight (dry)
mm	mm	mm	kg
2055	990	1535	1410



Ratings Definitions

Emergency Standby Power (ESP):

Applicable for supplying power to varying electrical load for the duration of power interruption of a reliable utility source. Emergency Standby Power (ESP) is in accordance with ISO 8528. Fuel Stop power in accordance with ISO 3046, AS 2789, DIN 6271 and BS 5514.

Limited-Time Running Power (LTP):

Applicable for supplying power to a constant electrical load for limited hours. Limited-Time Running Power (LTP) is in accordance with ISO 8528.

Prime Power (PRP):

Applicable for supplying power to varying electrical load for unlimited hours. Prime Power (PRP) is in accordance with ISO 8528. Ten percent overload capability is available in accordance with ISO 3046, AS 2789, DIN 6271 and BS 5514.

Base Load (Continuous) Power (COP):

Applicable for supplying power continuously to a constant electrical load for unlimited hours. Continuous Power (COP) in accordance with ISO 8528, ISO 3046, AS 2789, DIN6271 and BS 5514.

Fuel Consumption 1800 (60 Hz)

%	kWm	BHP	L/ph	US gal/ph
Standby Power				
100	325	436	82	21.3
Prime Power				
100	295	396	74	19.2
75	221	297	56	14.6
50	148	198	40	10.4
25	74	99	23	6.0
Continuous Power				
100	254	341	64	16.6

Cummins G-Drive Engines

Asia Pacific

10 Toh Guan Road
#07-01
TT International Tradepark
Singapore 608838
Phone 65 6417 2388
Fax 65 6417 2399

Europe, CIS, Middle

East and Africa
Manston Park Columbus Ave
Manston Ramsgate
Kent CT12 5BF. UK
Phone 44 1843 255000
Fax 44 1843 255902

Latin America

Rua Jati, 310, Cumbica
Guarulhos, SP 07180-900
Brazil
Phone 55 11 2186 4552
Fax 55 11 2186 4729

Mexico

Cummins S. de R.L. de C.V.
Eje 122 No. 200 Zona Industrial
San Luis Potosí, S.L.P. 78090
Mexico
Phone 52 444 870 6700
Fax 52 444 870 6811

North America

1400 73rd Avenue N.E.
Minneapolis, MN 55432
USA
Phone 1 763 574 5000
USA Toll-free 1 877 769 7669
Fax 1 763 574 5298

Our energy working for you.™

www.cumminsgdrive.com

©2007 | Cummins G-Drive Engines | Specifications subject to change without notice | Cummins are registered trademarks of Cummins Inc. (01/08) (GDSS125-RevA)





Diesel Generating Sets

60
Hz

Model: **KYC325**

INDUSTRIAL RANGE

Powered by Cummins

Control Panel Technical Specifications



DSE Genset



DSE6110

AUTO START & AUTO MAINS FAILURE CONTROL MODULES

FEATURES

DSE6110



KEY FEATURES

- Back-lit text LCD display
- Front panel editing
- LED and LCD alarm indication
- Power Save mode
- CAN and Magnetic Pick-up/Alt. versions available (specify on ordering)
- PC and front panel configuration
- 6 Digital inputs
- 3 Analogue inputs
- 6 Outputs (4 configurable on Magnetic Pick-up/Alt., 6 configurable on CAN version)
- Configurable timers and alarms
- Alternative configuration
- Event Log(10)
- Remote Start input
- 3 Phase generator monitoring

- Current Monitoring and protection
- Battery voltage monitoring
- Engine pre-heat
- Hours counter
- Comprehensive shutdown or warning on fault condition

KEY BENEFITS

- Hours counter provides accurate information for monitoring and maintenance periods
- User-friendly set-up and button layout

- Multiple engine parameters are monitored simultaneously
- Module can be configured to suit individual applications
- Compatible with a wide range of CAN engines
- Tier 4 engine support
- Uses DSE Configuration Suite PC software for simplified configuration
- IP65 rating (with optional gasket) offers increased resistance to water ingress
- Licence-free PC software

SPECIFICATION

DC SUPPLY

CONTINUOUS VOLTAGE RATING
8 V to 35 V Continuous

CRANKING DROPOUTS

Able to survive 0 V for 50 mS, providing supply was at least 10 V before dropout and supply recovers to 5 V. This is achieved without the need for internal batteries. LEDs and backlight will not be maintained during cranking.

MAXIMUM OPERATING CURRENT

178 mA at 12 V, 95 mA at 24 V

MAXIMUM STANDBY CURRENT

88 mA at 12 V, 50 mA at 24 V

CHARGE FAIL/EXCITATION RANGE

0 V to 35 V

MAINS (UTILITY) DSE6120 ONLY

VOLTAGE RANGE
15 V - 333 V AC (L-N)

FREQUENCY RANGE

3.5 Hz to 75 Hz

OUTPUTS

OUTPUT A (FUEL)
2 A DC at supply voltage

OUTPUT B (START)
2 A DC at supply voltage

AUXILIARY OUTPUTS C, D, E & F
2 A DC at supply voltage

GENERATOR

VOLTAGE RANGE
15 V - 333 V AC (L-N)

FREQUENCY RANGE

3.5 Hz to 75 Hz

MAGNETIC PICK UP

VOLTAGE RANGE
+/- 0.5 V to 70 V

FREQUENCY RANGE

10,000 Hz (max)

DIMENSIONS

OVERALL
215 mm x 158 mm x 42 mm
8.5" x 6.2" x 1.6"

PANEL CUT-OUT

182 mm x 137 mm
7.2" x 5.4"

MAXIMUM PANEL THICKNESS

8 mm
0.3"

STORAGE TEMPERATURE RANGE

-40 °C to +85 °C



Diesel Generating Sets

60
Hz

Model: **KYC325**

INDUSTRIAL RANGE

Powered by Cummins

Generating Sets Standard Features

Three phase four wire, output voltage 480V/277V,60HZ,between 0.8 lagging, protection capability according with the standard of NAME1 and IP23.

General Features:

- Composed of Perkins diesel engine and Stamford or Leroy Somer alternator
- Oil and fuel filter fitted, water separator
- Lube-oil drain valve fitted
- Electric Starter Charge motor 12
- V.D.C Water-cooled
- 8-hours operation base tank
- Auto start
- Optional soundproof and weatherproof canopy
- 3 pole MCCB Delixi breaker
- Operation & Maintenance manual
- Special Integrated Steel Base tank and sprayed overall in gloss enamel paint

Voltage Regulation:

- Voltage regulation maintained within $\pm 0.5\%$
- Between 0.8 and 1.0 lagging and unity
- From no load to full load
- At speed droop variation upto 4.5%

Frequency Adjustable Ratio:

Change load from 0-100%,within 1.0%(electric speed regulator),within 4.5%(mechanical speed regulator)

Frequency Undulation:

- load from 0-100%,frequency undulation within 0.25%
- No load wire volts max undulation ration\ within 1.8%
- Three Phrase balanced load in the order of 5%
- Effect factor of Telecom
- TIF better than 50
- THF to IEC60034 Part 40 better than 2%



Diesel Generating Sets

60
Hz

Model: **KYC325**

INDUSTRIAL RANGE

Powered by Cummins

Soundproofed Version Features

Robust Corrosion Resistant Construction

Black finish stainless steel lock and hinges

Body made from steel components treated with polyester powder coating

Excellent Access for Maintenance

Two large doors on each

side Radiator fill access plate

lube oil and cooling water drains pipes to exterior of the enclosure

Security and Safety

Control panel viewing window in a lockable access door

Emergency stop push button (red) mounted on enclosure interior

Cooling fan and battery charging alternator fully guarded

Exhaust silencing system totally enclosed for operator safety





Diesel Generating Sets

60
Hz

Model: **KYC325**

INDUSTRIAL RANGE

Powered by Cummins

Generating Sets other Features

Generating Sets Optional Features

- Low fuel level alarm shutdown
- Automatic Fuel Filling System
- Engine oil feeding and drain pump
- Auto Transfer Switch(ATS)
- Parallel control panels
- Circuit Breaker MCCB & ACB
- Remote Control Panel
- weatherproof/soundproof
- Canopy Trailer type Gensets

Quality Standards

- ISO9001:2000,ISO14000,ISO3046
- ISO8528 BS4999
- BS5514,AS1359,ICE34
- CE Compliance

Gensets Dimensions & Weight

Open type:LxWxH (mm) Net Weight Kgs
3315x1100x1650, 3350kgs

Silent type:LxWxH (mm) Net Weight Kgs
4480x1130x2270, 4020kgs

Kingdom of Saudi Arabia - Riyadh - P.O.Box 3049 Riyadh 14264
Tel. : +966 11 4718383 - Fax : +966 11 4718989
Lebanon - Beirut - Telefax : +9611280821

المملكة العربية السعودية - الرياض - ص.ب ٣٠٤٩ الرياض ١٤٢٦٤
هاتف : +٩٦٦ ١١ ٤٧١٨٣٨٣ - فاكس : +٩٦٦ ١١ ٤٧١٨٩٨٩
لبنان - بيروت - تلفاكس : +٩٦١١٢٨٠٨٢١ جوال: +٩٦١ ٣٤٥١٥١٤

www.kynnco.com

www.megapower.com.sa info@kynnco.com

